

NOBLELIFT

Scan it,
For more information

Service Hotline: 4008-836115

SPARE PARTS LIST

Electric Pallet Truck PTE15-C&SPTE15-C



Version 04/2020

From truck identification number:

20200400000

PTE15-C-BPT-003-EN

Catalogue

Fig.1 Chassis (540x1150)	3
Fig. 2 Chassis (685x1150)	5
Fig. 3 Load roller components	7
Fig. 4 Driving unit.....	9
Fig. 5 Driving wheel components	11
Fig. 6 Hydraulic unit (full-electric)	13
Fig. 7 Power unit.....	15
Fig. 8 Hydraulic unit (semi-electric)	16
Fig. 9 Steering wheel components(with side rollers).....	18
Fig. 10 Steering wheel components (without side rollers).....	20
Fig. 11 Tiller arm components (Full-Electric).....	21
Fig. 12 Tiller head components (Full-Electric).....	23
Fig. 13 Tiller arm components (Semi-electric).....	24
Fig. 14 Tiller head components (Semi-electric).....	26
Fig. 15 Controller components	27
Fig. 16 Charger	29
Fig. 17 Wiring harness (Full-Electric)	30
Fig. 18 Wiring harness (Semi-electric)	31
Fig. 19 Sticker (EU)	32
Easy worn parts list.....	33

Fig.1 Chassis (540x1150)

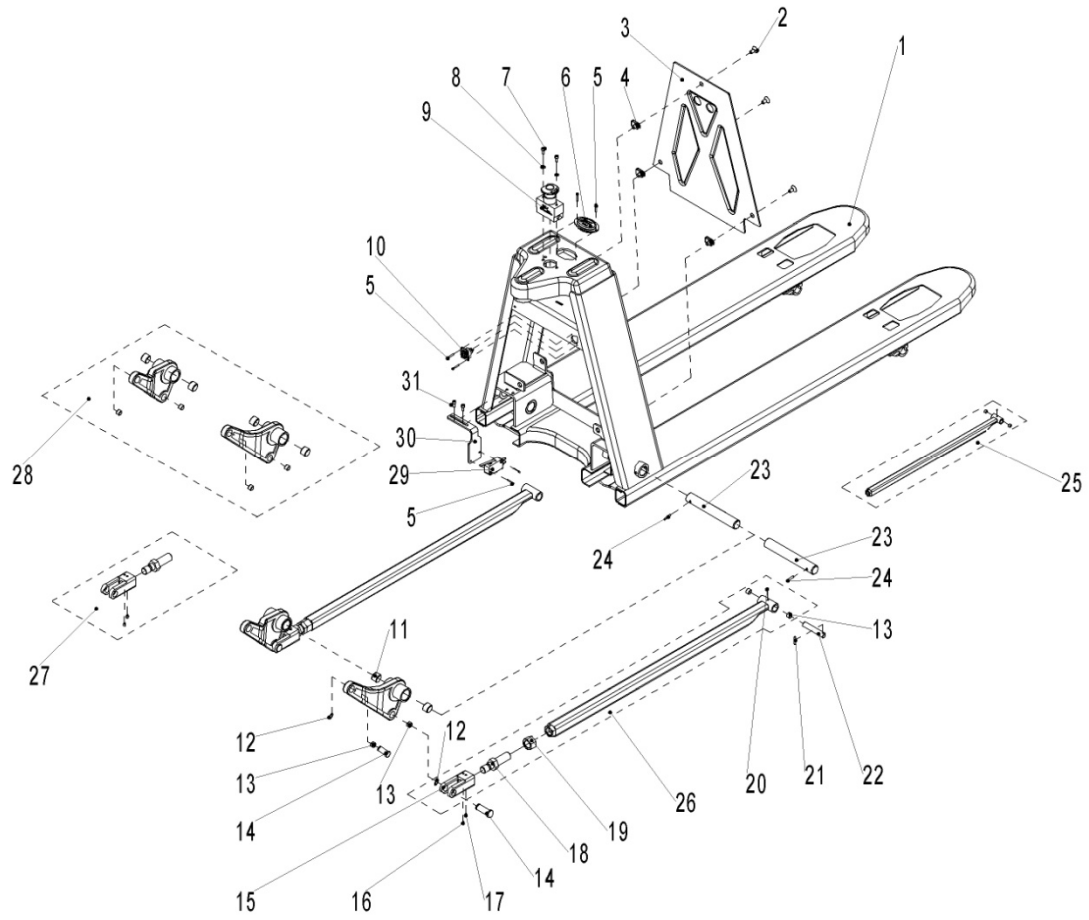


Fig.1 Chassis (540x1150)

No.	Art No.	Description	Qty.	Note
1	508838510000	Chassis welding (540x1150)	1	
2	941101200001	Screw M8x16-4.8	3	
3	508838520038	Front damper	1	
4	940400400002	Plate spring nut M8-t(2-4)	3	
5	910200200003	Screw GB70.1-M3x12-8.8	4	
6	508833010009	Electricity meter components (800-2)	1	
7	910200200021	Screw GB70.1-M5x10-8.8	2	
8	910400100004	Flat Washer GB97.1-5-200HV	2	
9	920200100018	Emergency button GED80A	1	
10	508833010007	Charging port wiring harness	1	
11	940500100097	Bushing $\Phi 24.6 \times \Phi 29 \times 25$ -SF-1(with oil hole)	4	
12	910401300007	Circlip GB894.1-16	4	
13	940500100083	Bushing $\Phi 16 \times \Phi 18 \times 15$ -SF-1(with oil hole)	8	
14	508038520041	Pin $\Phi 16 \times 44$	4	
15	508038520028	Push rod fork	2	
16	910201000005	Screw GB79-M6x8-45H	2	
17	910600400015	Elastic cylindrical pin 4x30	2	
18	508038520029	Adjusting bolt	2	
19	910300400008	Nut GB6173-M20x1.5-05	2	
20	911200100001	Grease nipple JB7940.4-6	2	
21	910600400024	Elastic cylindrical pin 5x28	2	
22	502338520030	Push rod axle $\Phi 16 \times 82$	2	
23	508838520017	Axle $\Phi 24.6 \times 135$	2	
24	910600400041	Elastic cylindrical pin GB879.1-6x40	2	
25	508898510004	Push rod components (1150)	2	1150
26	508898510005	Push rod kits (1150)	2	1150
27	508098510004	Push rod fork components	2	
28	508898510006	Rock arm components (540)	1	
29	920200300012	Microswitch V-J163-1C25	1	
30	508838520039	Assembling plate (for micro switch)	1	
31	910200300006	Screw GB70.2-M4x10-8.8	2	

Fig. 2 Chassis (685x1150)

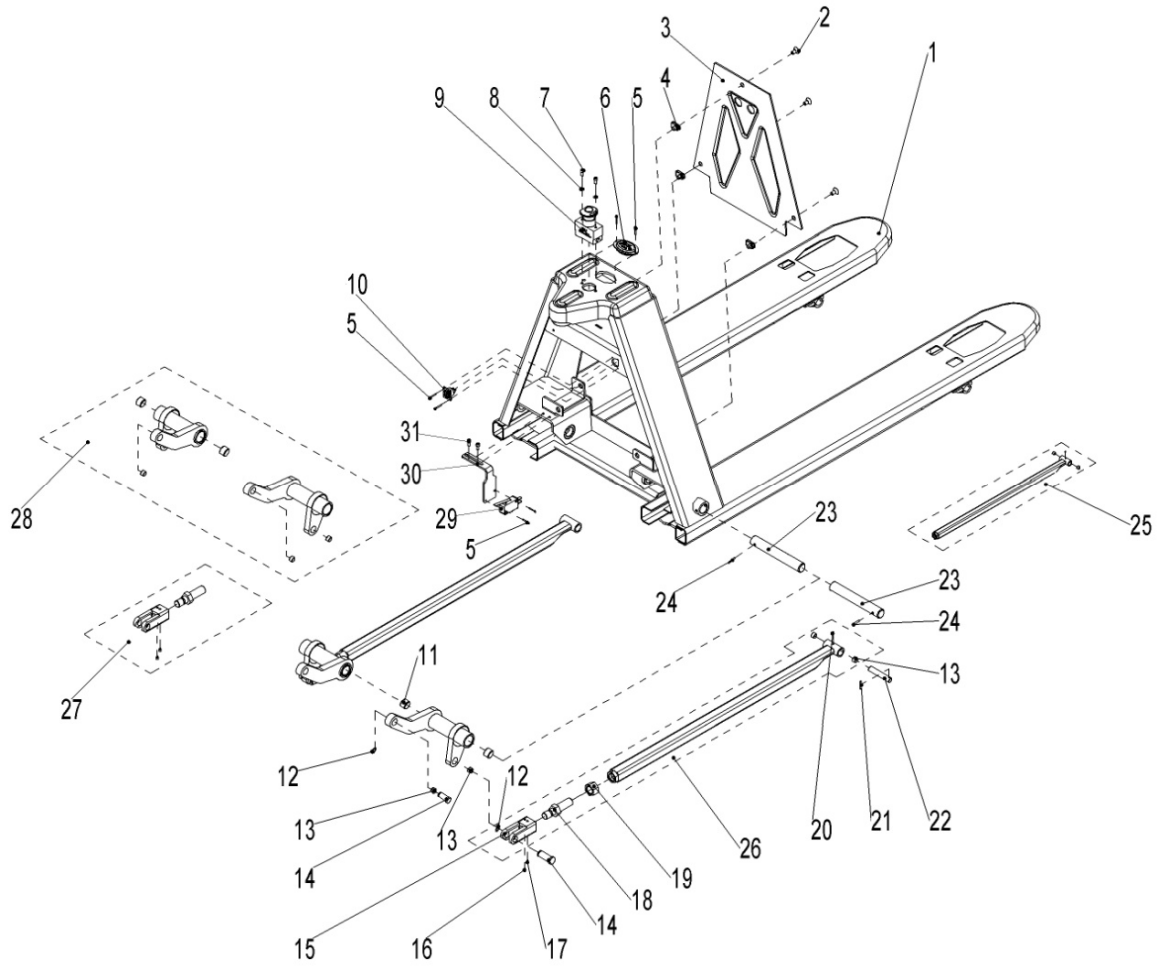


Fig. 2 Chassis (685x1150)

No.	Art No.	Description	Qty.	Note
1	508838510004	Chassis welding (685x1150)	1	
2	941101200001	Screw M8x16-4.8	3	
3	508838520038	Front damper	1	
4	940400400002	Plate spring nut M8-t(2-4)	3	
5	910200200003	Screw GB70.1-M3x12-8.8	4	
6	508833010009	Electricity meter components (800-2)	1	
7	910200200021	Screw GB70.1-M5x10-8.8	2	
8	910400100004	Flat Washer GB97.1-5-200HV	2	
9	920200100018	Emergency button GED80A	1	
10	508833010007	Charging port wiring harness	1	
11	940500100097	Bushing $\Phi 24.6 \times \Phi 29 \times 25$ -SF-1(with oil hole)	4	
12	910401300007	Adjusting bolt GB894.1-16	4	
13	940500100083	Bushing $\Phi 16 \times \Phi 18 \times 15$ -SF-1(with oil hole)	8	
14	508038520041	Pin $\Phi 16 \times 44$	4	
15	508038520028	Push rod fork	2	
16	910201000005	Screw GB79-M6x8-45H	2	
17	910600400015	Elastic cylindrical pin 4x30	2	
18	508038520029	Adjusting bolt	2	
19	910300400008	Nut GB6173-M20x1.5-05	2	
20	911200100001	Grease nipple JB7940.4-6	2	
21	910600400024	Elastic cylindrical pin 5x28	2	
22	502338520030	Push rod axle $\Phi 16 \times 82$	2	
23	508838520037	Axle $\Phi 24.6 \times 207$	2	
24	910600400041	Elastic cylindrical pin GB879.1-6x40	2	
25	508898510004	Push rod components (1150)	2	1150
26	508898510005	Push rod kits (1150)	2	1150
27	508098510004	Push rod fork components	2	
28	508898510007	Rock arm components(685)	1	
29	920200300012	Microswitch V-J163-1C25	1	
30	508838520039	Assembling plate (for micro switch)	1	
31	910200300006	Screw GB70.2-M4x10-8.8	2	

Fig. 3 Load roller components

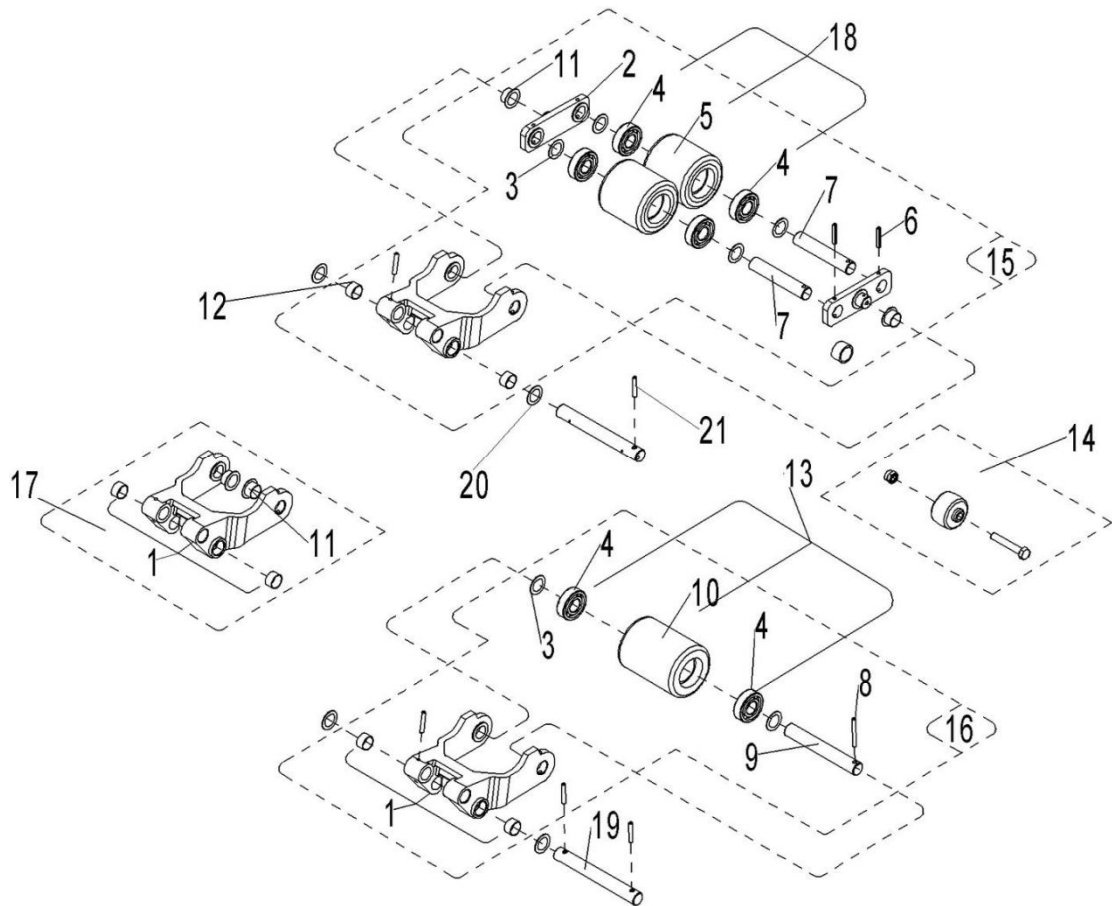


Fig. 3 Load Roller Components

No.	Art No.	Description	Qty.	Note
1	508098510048	Arm block assembly (single wheel frame)	2	
2	502317020000	Linking plate	4	Tandem
3	940600500013	Washer $\Phi 25 \times \Phi 20.5 \times 1$	8/4 (Tandem/Single)	
4	910700200019	Bearing GB276-6204-2RS	8/4 (Tandem/Single)	
5	940300300005	Roller $\Phi 80 \times 70$ (steel core PU)	4 (Tandem)	
6	910600400027	Elastic cylindrical pin GB879.1-5x35	8 (Tandem)	
7	502317020001	Wheel axle $\Phi 20 \times 94$	4 (Tandem)	
8	910600400027	Elastic cylindrical pin GB879.1-5x35	8 (Tandem)	
9	301017020001	Wheel axle $\Phi 20 \times 122$	2 (Single)	
10	940300300023	Roller $\Phi 80 \times 93$ (steel core PU)	2 (Single)	
11	940500200038	Bushing (with shoulder) $\Phi 18 \times \Phi 20 \times 12$ -SF-1 (with oil hole)	4 (Tandem)	
12	940500100088	Bushing $\Phi 20 \times \Phi 22 \times 12$ -SF-1 (with oil hole)	4	
13	502398510014	Wheel set accessories (single)	2	
14	502398510003	Roller kit	2	
15	508098510049	Wheel accessories (double)	2	
16	508098510050	Wheel accessories (single)	2	
17	508098510051	Arm block assembly (double wheel frame)	2	
18	502398510002	Wheel set accessories (double)	4	
19	508038520030	Axle $\Phi 20 \times 158$	2	
20	502338520033	Roller	4	
21	910600400024	Elastic cylindrical pin 5x28	2	

Fig. 4 Driving unit

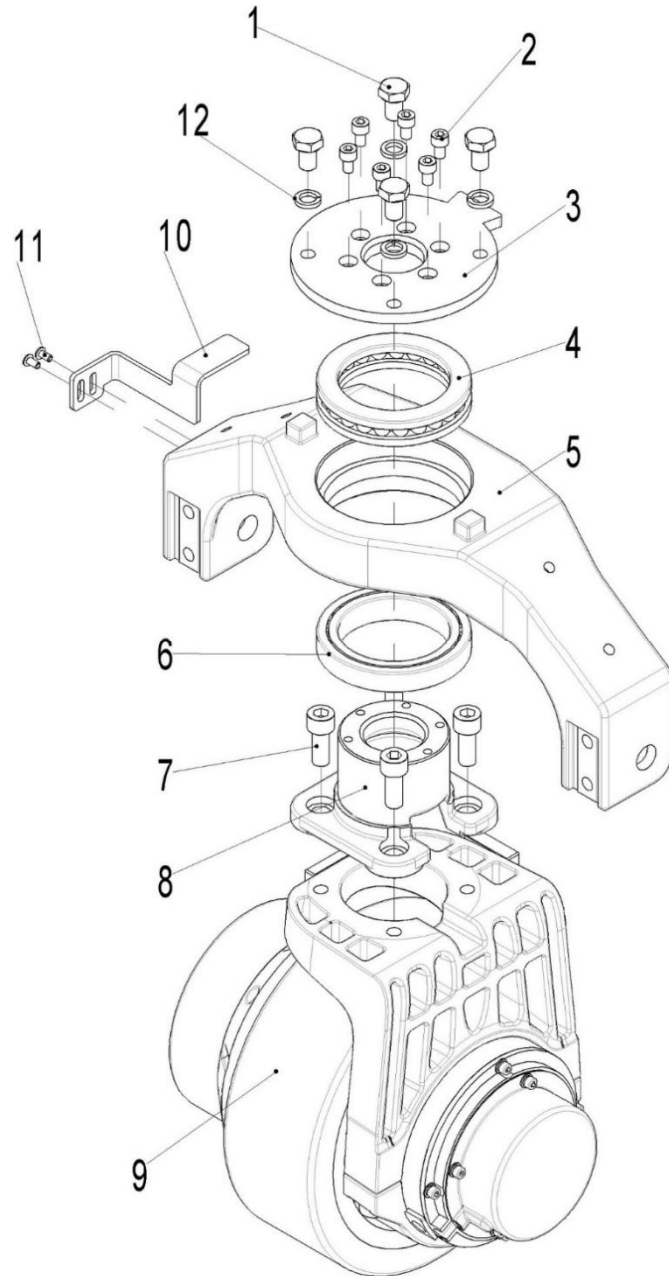


Fig. 4 Driving unit

No.	Art No.	Description	Qty.	Note
1	910100300034	Bolt GB5783-M10x16-8.8	4	
2	910200200032	Screw GB70.1-M6x10-8.8	6	
3	508813520002	Location limiting plate	1	
4	910700700011	Bearing GB301-51113	1	
5	508813520000	Driving wheel seat	1	
6	910700600044	Bearing GB297-32913	1	
7	910200200076	ScrewGB70.1-M10x25-8.8	4	
8	508813520001	Linking flange	1	
9	940900100019	Driving assembly TF110BH1-JY120X-DC-0.75KW	1	
10	508813520003	Location limiting plate	3	
11	910200300005	Screw GB70.2-M4x8-8.8	1	
12	910400500007	Spring washer GB93-10	1	

Fig. 5 Driving wheel components

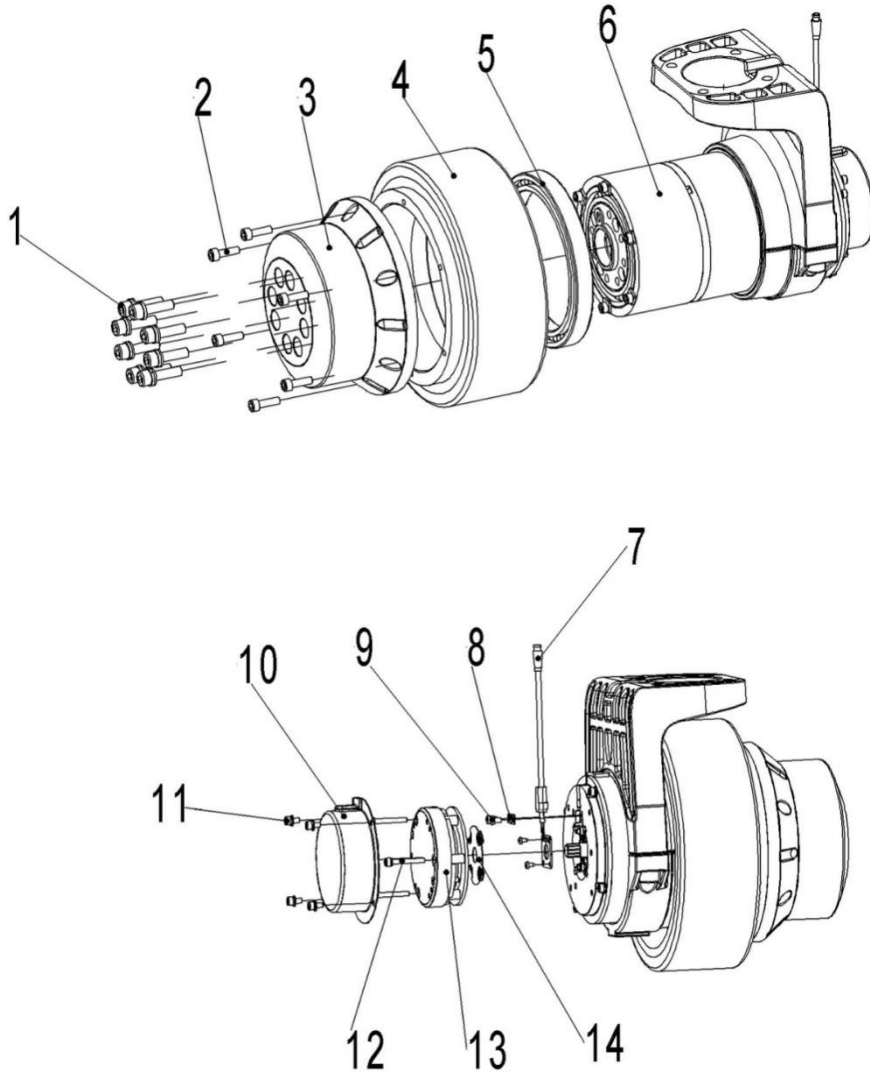


Fig. 5 Driving wheel components

No.	Art No.	Description	Qty.	Note
1	508898520000	ScrewGB/T9074-M8×30-8.8-Docromet	8	
2	910200200036	ScrewGB70.1-M6x20-8.8	6	
3	508898520001	Protective cover	1	
4	508898520002	Wheel hub	1	
5	508898520003	Bearing	1	
6	508898520007	Motor+Reducer	1	
7	508898520008	Hall disk assembly	1	
8	508898520009	Cord	1	
9	508898520010	GB/T823-M4×6-8.8-Ep.Ni	2	
10	508898520011	Protective cover	1	
11	508898520012	ScrewGB/T9074-M4×8-8.8-Docromet	4	
12	508898520013	ScrewGB/T9074-M4×30-8.8-Ep.Zn	3	
13	508898520014	Electromagnetic brake	1	
14	508898520015	Protective cover	1	

Fig. 6 Hydraulic unit (full-electric)

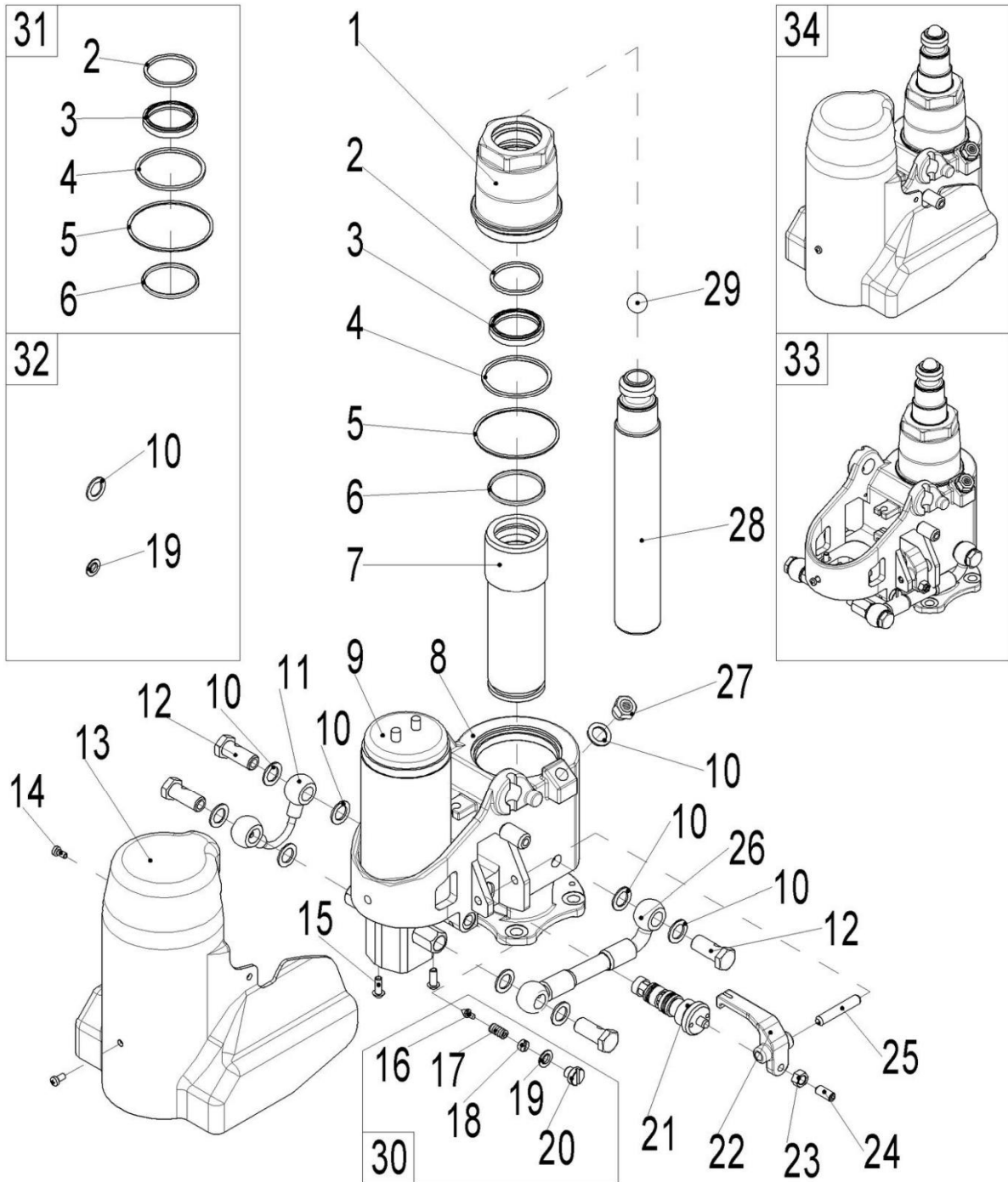


Fig. 6 Hydraulic unit (full-electric)

No.	Art No.	Description	Qty.	Note
1	508824020017	Cylinder cap	1	
2	910800400009	Dust ring FC 40x48x6.5	1	
3	910800300002	Seal ring for axle Y40x50x6	1	
4	910800100029	O ring-internal 54.5x3.55	1	
5	910800100032	O ring-external 75x3.1	1	
6	910800100031	O ring-internal 43.7x3.55	1	
7	503224020004	Inner cylinder	1	
8	508824010005	Pump welding (full-electric)	1	
9	950900100067	Hydraulic power unit 48V0.8kw0.38cc	1	
10	910800900003	Bonded washer 14	9	
11	503224010003	Hydraulic steel tube welding 2	1	
12	503224020005	Hinged bolts G1/4x33	4	
13	503224020006	Protective cover (motor)	1	
14	910200500037	Screw GB818-M5x10-4.8	2	
15	910200300018	Screw GB70.2-M6x16-8.8	2	
16	301023520016	Valve core (safety)	1	
17	940400500068	Spring Φ 6.3x Φ 1.8x19.5	1	
18	300523520026	Adjusting screw	1	
19	910800900006	Bonded washer JB982-10	1	
20	502624020011	Plug M10x1x6g	1	
21	502024010005	Hydraulic valve components	1	
22	502024020003	Swing rod	1	
23	910300100006	Nut GB6170-M8-10	1	
24	910200800021	Screw GB77-M8x20-45H	1	
25	910600400048	Elastic cylindrical pin 8x50	1	
26	503224010002	Hydraulic tube assembly	1	
27	951100200002	Vent plug G1/4	1	
28	502024020002	Piston rod Φ 40x214.5	1	
29	910701100019	Steel ball GB308-18	1	
30	508898510014	Overflow valve assembly	1	
31	508898510019	Seal assembly	1	
32	508898510020	Seal assembly	1	
33	508898510021	Pump components	1	
34	508824001002	Hydraulic assembly (full-electric)	1	

Fig. 7 Power unit

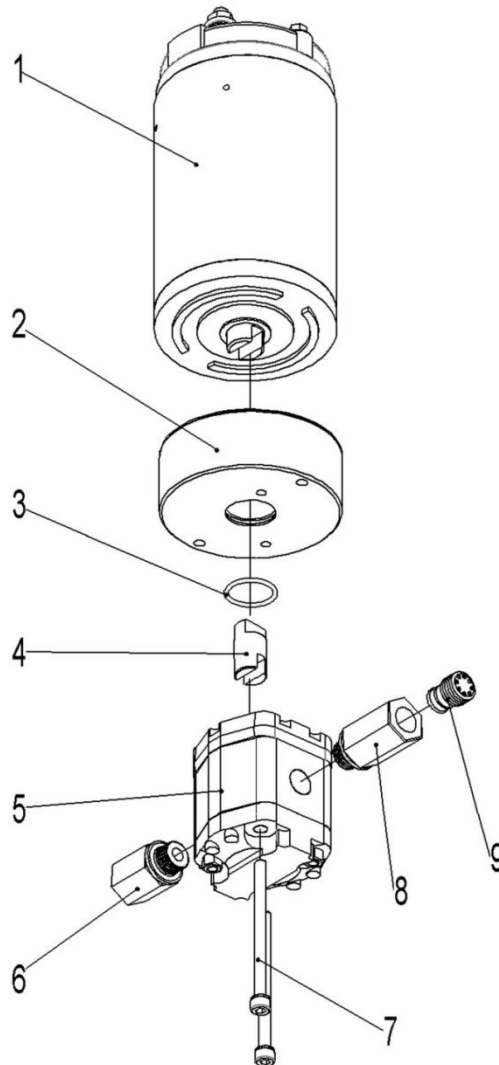


Fig. 7 Power unit

No.	Art No.	Description	Qty.	Note
1	508898520016	DC Motor	1	
2	508898520017	DC Motor flange	1	
3	910800100063	O ring -internal 21.2x1.8	1	
4	508898520018	Coupler	1	
5	508898520019	CBU gear pump	1	
6	503224020008	Transition joints (short)	1	
7	910200200031	Screw GB70.1-M5x65-8.8	2	
8	503224020007	Transition joints	1	
9	503224010004	One-way valve	1	

Fig. 8 Hydraulic unit (semi-electric)

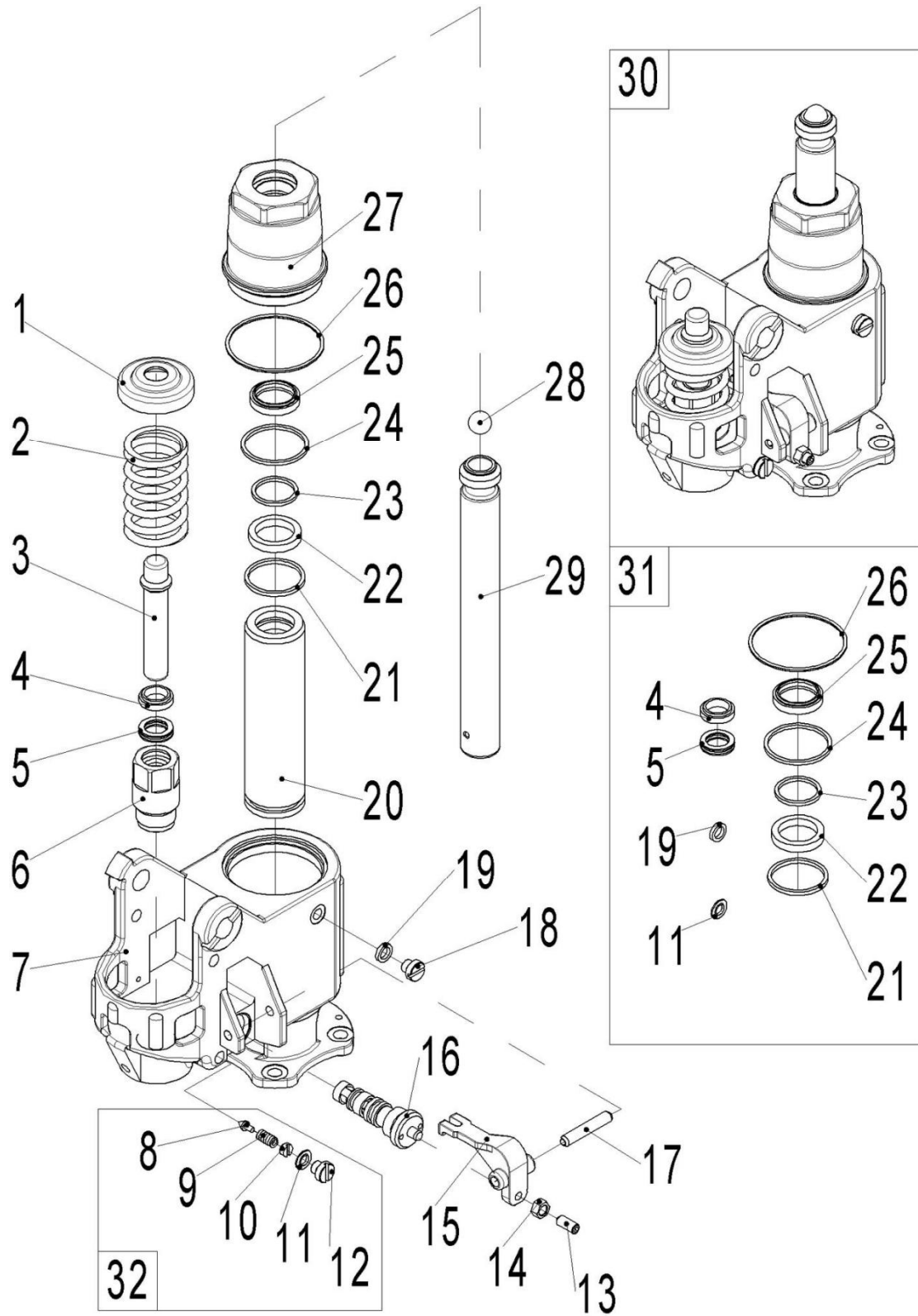


Fig. 8 Hydraulic unit (semi-electric)

No.	Art No.	Description	Qty.	Note
1	310823520000	Spring cap Φ 54x Φ 18.5x17	1	
2	502624020004	Spring Φ 45x Φ 6x99	1	
3	311423520001	Piston rod Φ 18x88	1	
4	910800400010	Dust ring FC 18x26x4.5	1	
5	910800300012	Seal ring for axle Y18x26x5	1	
6	300523520004	Cylinder Φ 35.5x Φ 18x60	1	
7	508824010007	Pump welding (semi-electric)	1	
8	301023520016	Valve core (safety)	1	
9	940400500068	Spring Φ 6.3x Φ 1.8x19.5	1	
10	300523520026	Adjusting screw	1	
11	910800900006	Bonded washer JB982-10	1	
12	502624020011	Plug M10x1x6g	1	
13	910200800021	Screw GB77-M8x20-45H	1	
14	910300100006	Nut GB6170-M8-10	1	
15	300523520001	Swing rod	1	
16	502024010005	Hydraulic valve components	1	
17	910600400048	Elastic cylindrical pin 8x50	1	
18	502624020011	Plug M10x1x6g	1	
19	950100200002	Rubber seal 15x10X3	1	
20	502624020012	Inner cylinder	1	
21	910800100030	O ring-internal 40x3.55	1	
22	910800300014	Seal ring for axle Y30x40x6	1	
23	910800100037	O ring-internal 30x3.55	1	
24	910800100036	O ring-internal 45x3.55	1	
25	910800400011	Dust ring FC30x38x6.5	1	
26	910800100032	O ring-external 75x3.1	1	
27	508824020019	Cylinder cap	1	
28	910701100019	Steel ball GB308-18	1	
29	502124020001	Piston rod	1	
30	508824001003	Hydraulic assembly (semi-electric)	1	
31	508898510022	Seal assembly	1	
32	508898510014	Overflow valve assembly	1	

Fig. 9 Steering wheel components(with side rollers)

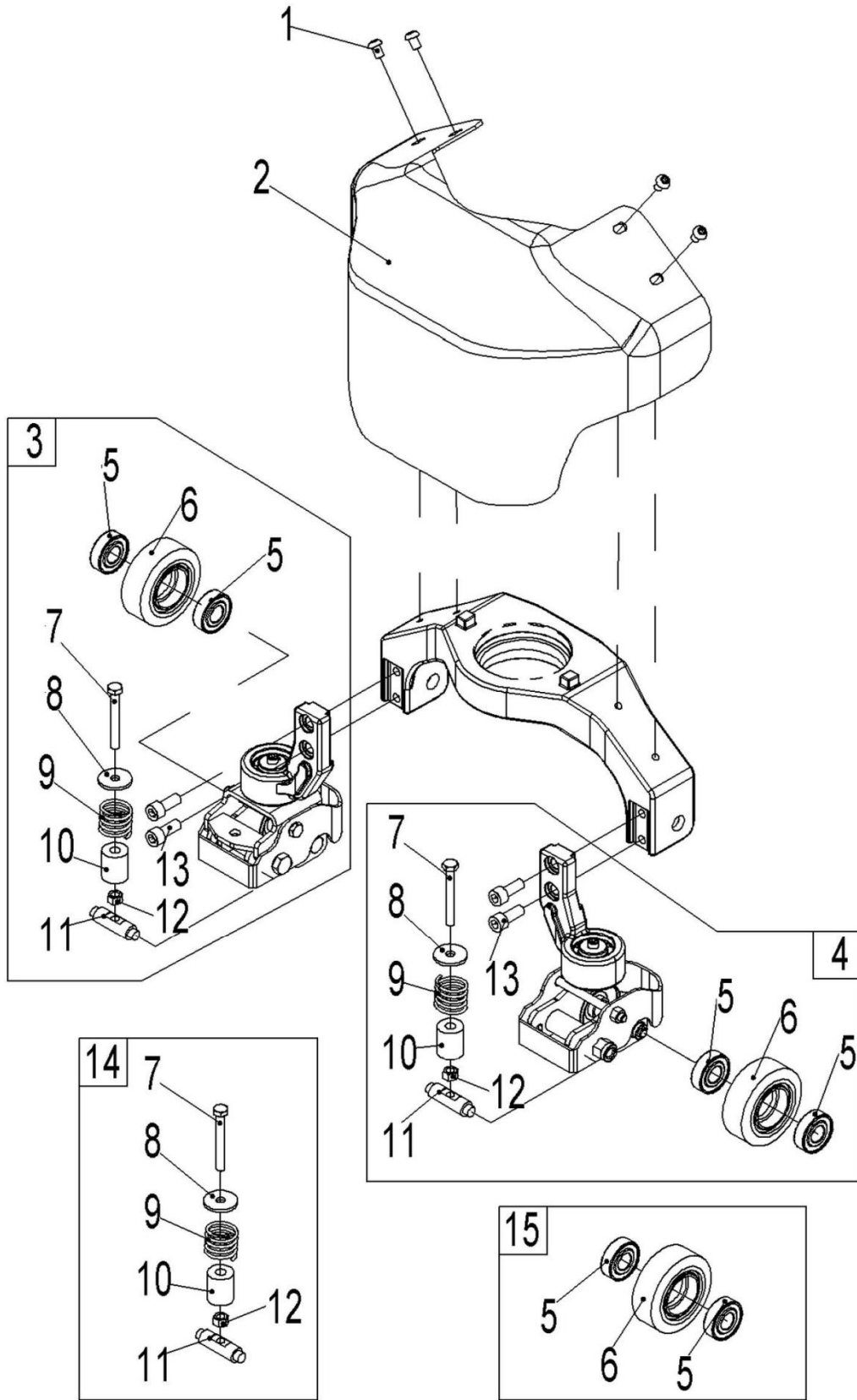


Fig. 9 Steering wheel components(with side rollers)

No.	Art No.	Description	Qty.	Note
1	910200300023	Screw GB70.2-M8x12-8.8	4	
2	508816520001	Apron (side roller)	1	Off the ground 35
	508816520003			Off the ground 45
3	508016510002	Roller components Φ 80x30 (PU/left)	1	
4	508016510005	Roller components Φ 80x30 (PU/right)	1	
5	910700200018	Bearing GB276-6203-2RS	4	
6	940300300017	Roller Φ 80x30(Steel core PU)	2	
7	910100300091	Bolt GB5783-M8x75-8.8	2	
8	508016520006	Washer	2	
9	508016520007	Spring Φ 28x Φ 2.8x40	2	
10	502316520012	PU Spring	2	
11	502316520013	Spindle Φ 15x56	2	
12	910300500004	Nut GB889.1-M8-10	2	
13	910200200076	Screw GB70.1-M10x25-8.8	4	
14	508098510047	Spring components	2	
15	502398510015	Roller components	2	

Fig. 10 Steering wheel components (without side rollers)

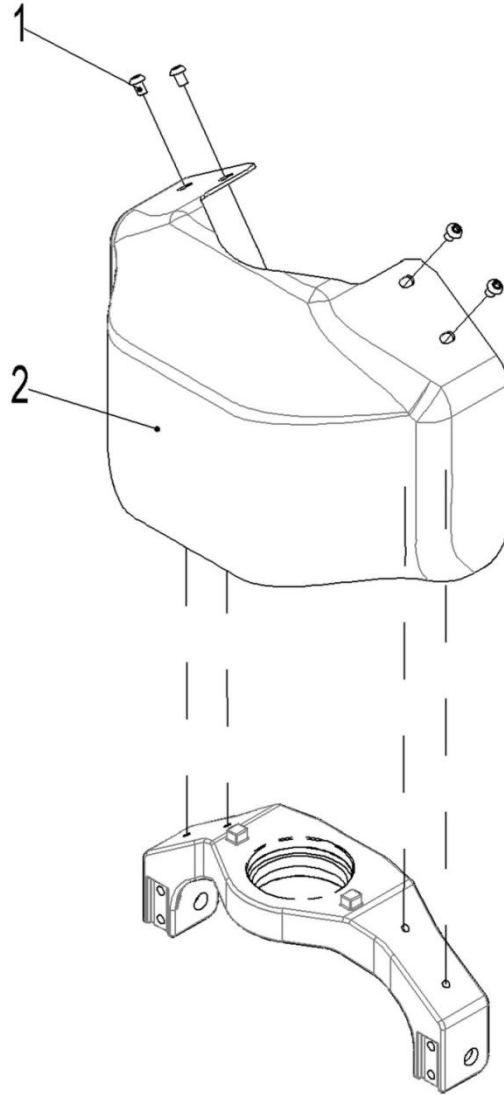


Fig. 10 Steering wheel components (without side rollers)

No.	Art No.	Description	Qty.	Note
1	910200300023	Screw GB70.2-M8x12-8.8	4	
2	508816520000	Apron (without side roller)	1	Off the ground 35
	508816520002			Off the ground 45

Fig. 11 Tiller arm components (Full-Electric)

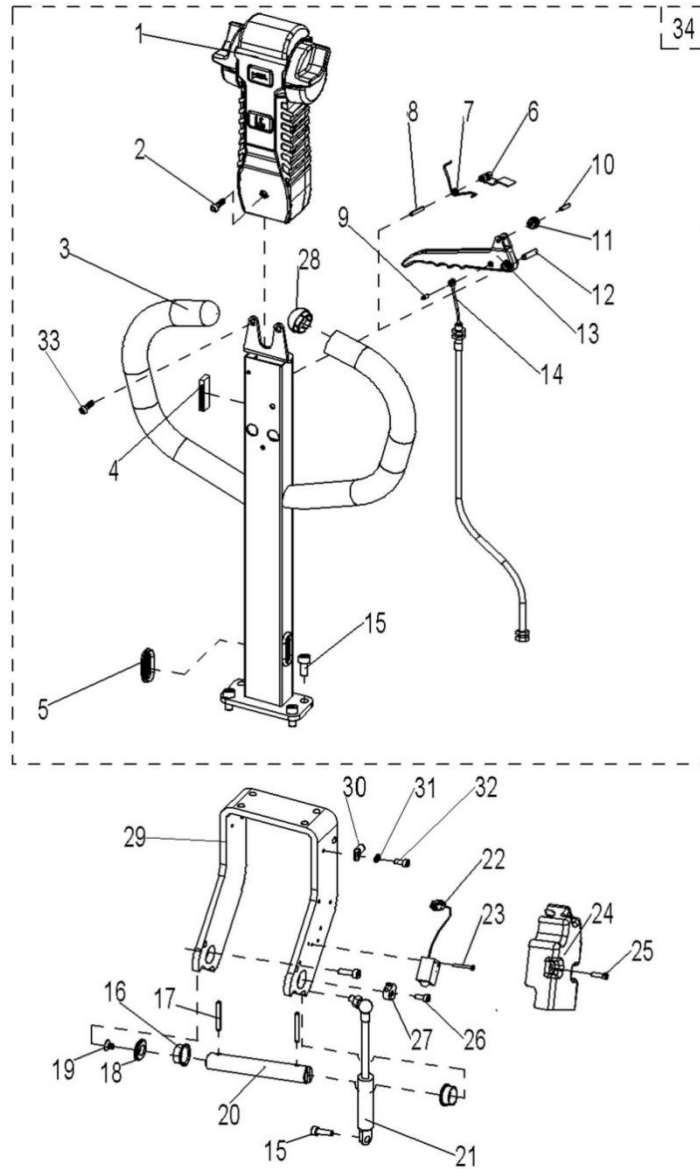


Fig. 11 Tiller arm components (Full-Electric)

No.	Art No.	Description	Qty.	Note
1	922100100041	Tiller S-SBZJ-4D-1001	1	
2	910200500036	Screw GB818-M5x8-4.8	3	
3	508811010000	Tiller arm welding (Full-Electric)	1	

4	301011020007	Rubber washer	1	
5	300511020017	Sleeve	1	
6	302511020000	Folding	1	
7	940400700002	Spring $\Phi 6.6 \times \Phi 1.6 \times 3.6$	1	
8	910600400015	Elastic cylindrical pin GB879.1-4x30	1	
9	910600400009	Elastic cylindrical pin GB879.1-4x14	1	
10	910600400011	Elastic cylindrical pin GB879.1-4x20	1	
11	301011020004	Roller $\Phi 12 \times \Phi 4.5 \times 10$	1	
12	910600400038	Elastic cylindrical pin GB879.1-6x30	1	
13	301011020002	Finger tip control	1	
14	502111020007	Lowering control cable	1	
15	910200200055	Screw GB70.1-M8x16-8.8	5	
16	940500200004	Bushing (With shoulder) $\Phi 20 \times \Phi 22 \times 10$ -SF-1	2	
17	910600400027	Elastic cylindrical pin GB879.1-5x35	2	
18	508811020006	End cover	1	
19	910200400016	Screw GB70.3-M6x12-8.8	1	
20	508811020005	Axle $\Phi 20 \times 133$	1	
21	940400100003	Air spring 450N(D209)	1	
22	508833010018	Proximity switch AZ17NK5100-1m(150mm)	1	
23	910200500016	Screw GB818-M3x25-4.8	2	
24	502611020007	Protective cover	1	
25	910200500024	Screw GB818-M4x16-4.8	3	
26	910200200022	Screw GB70.1-M5x12-8.8	1	
27	503211020011	Proximity switch sensor	1	
28	508811020007	Cover (tiller)	2	
29	508811010002	Tiller flange	1	
30	921300200001	Cable clamp UC-1	3	
31	910400100003	Flat Washer GB97.1-4-200HV	3	
32	910200500021	Screw GB818-M4x10-4.8	3	
33	910200500041	Screw GB818-M5x20-4.8	4	
34	508898510013	Tiller arm components (Full-Electric)	1	

Fig. 12 Tiller head components (Full-Electric)

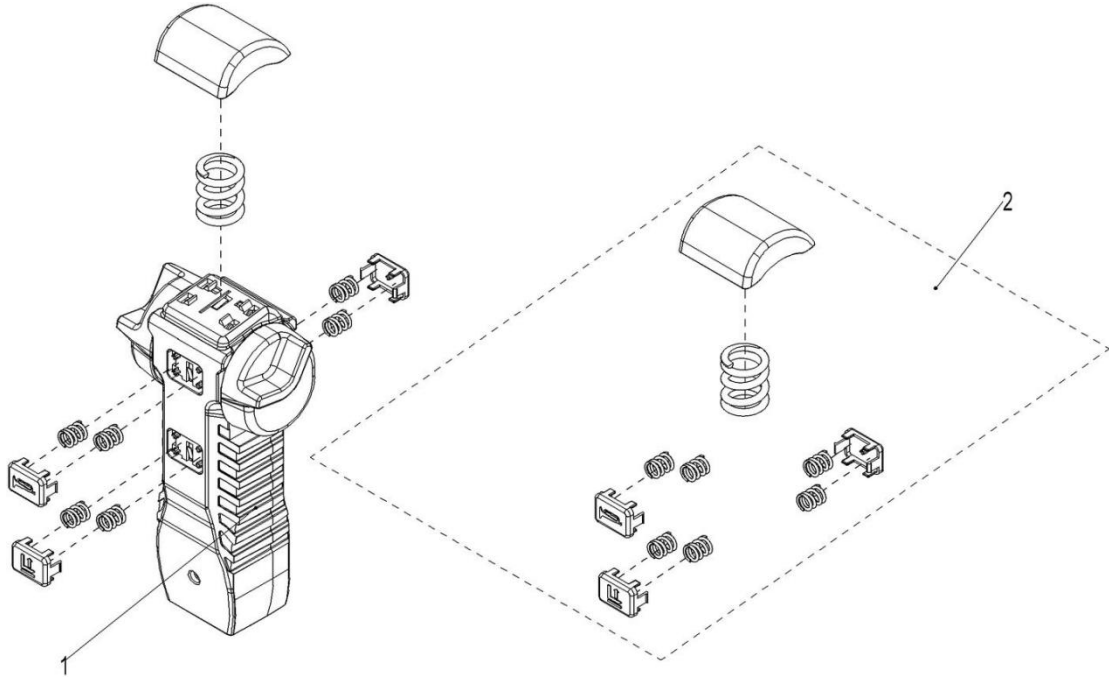


Fig. 12 Tiller head components (Full-Electric)

No.	Art No.	Description	Qty.	Note
1	508898520004	Handle Cap	1	
2	508898510008	Tiller S-SBZJ-4D-1001	1	
3	508898510009	Butterfly shape Switch components	1	
4	508898520005	Handle lower cover	1	
5	508898510010	Switch components	1	

Fig. 13 Tiller arm components (Semi-electric)

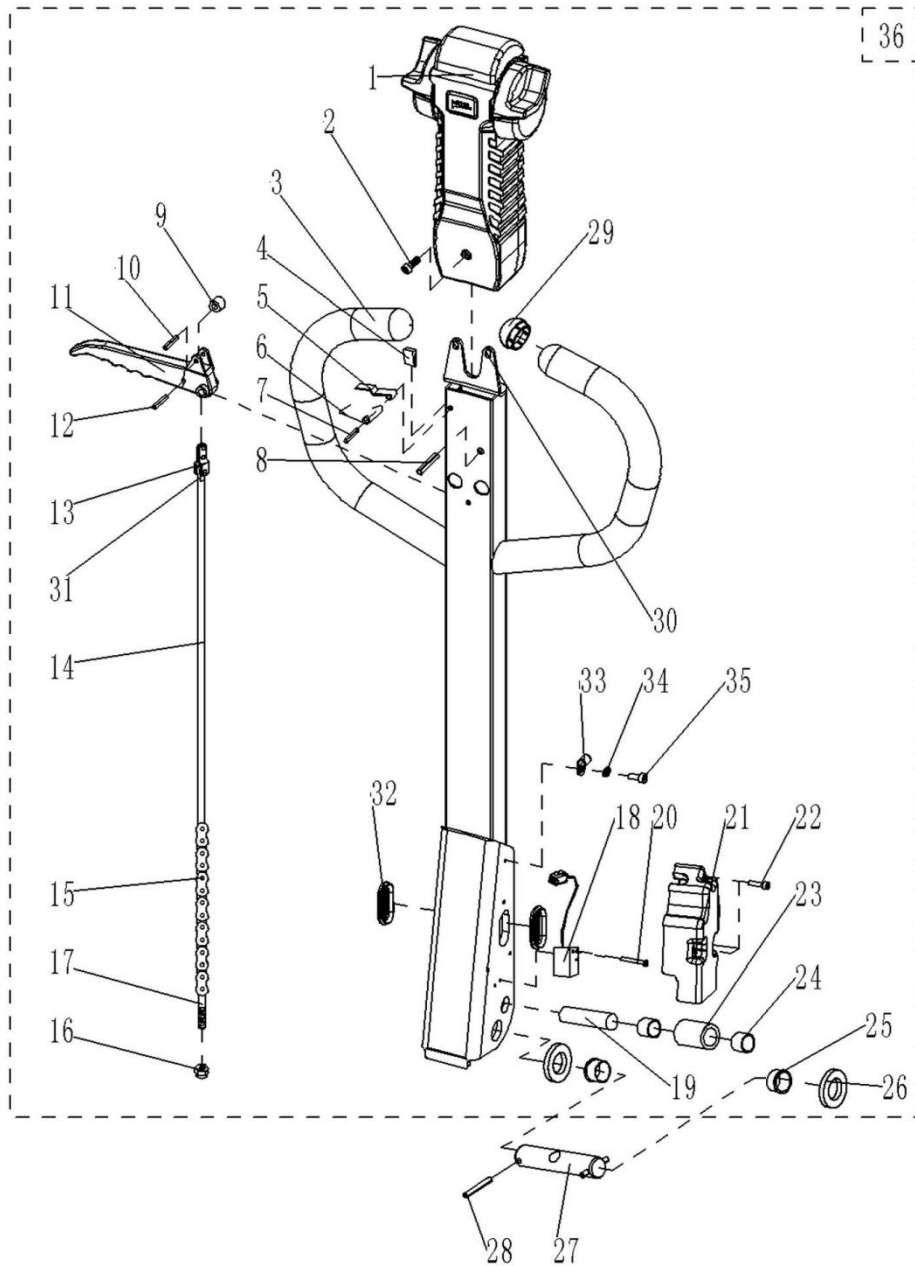


Fig. 13 Tiller arm components (Semi-electric)

No.	Art No.	Description	Qty.	Note
1	922100100042	Tiller S-SBZJ-4D-1000	1	
2	910200500036	Screw GB818-M5x8-4.8	3	
3	508811010001	Tiller arm welding (Semi-electric)	1	
4	301011020007	Rubber washer	1	
5	302511020000	Folding	1	
6	940400700002	Spring $\Phi 6.6 \times \Phi 1.6 \times 3.6$	1	

7	910600400015	Elastic cylindrical pin GB879.1-4x30	1	
8	910600400038	Elastic cylindrical pin GB879.1-6x30	1	
9	301011020004	Roller $\Phi 12 \times \Phi 4.5 \times 10$	1	
10	910600400011	Elastic cylindrical pin GB879.1-4x20	1	
11	301011020002	Finger tip control	1	
12	910600400009	Elastic cylindrical pin GB879.1-4x14	1	
13	301011020001	Linking plate	1	
14	502111020004	Linking rod	1	
15	301011020009	Roller chain GB1243-04C-1-17	1	
16	910300500002	Nut GB889.1-M5-10	2	
17	301011020006	Short linking rod	1	
18	508833010018	Proximity switch AZ17NK5100-1m(150mm)	1	
19	300511020000	Axle $\Phi 15 \times 60$	1	
20	910200500016	Screw GB818-M3x25-4.8	2	
21	503211020008	Protective cover	1	
22	910200500024	Screw GB818-M4x16-4.8	3	
23	300511020001	Pinch roller $\Phi 24 \times \Phi 17 \times 36$	1	
24	940500100003	Bushing $\Phi 15 \times \Phi 17 \times 15$ -SF-1	2	
25	940500200006	Bushing (With shoulder) $\Phi 20 \times \Phi 22 \times 15$ -SF-1	2	
26	502111020010	Washer	2	
27	502611020006	Lifting block axle	1	
28	910600400027	Elastic cylindrical pin GB879.1-5x35	2	
29	508811020007	Cover (tiller)	2	
30	910200500041	Screw GB818-M5x20-4.8	4	
31	910500400001	Screw GB868-4x10	1	
32	300511020017	Sleeve	2	
33	921300200001	Cable clamp UC-1	3	
34	910400100003	Flat Washer GB97.1-4-200HV	3	
35	910200500021	Screw GB818-M4x10-4.8	3	
36	508898510012	Tiller arm components (Semi-electric)	1	

Fig. 14 Tiller head components (Semi-electric)

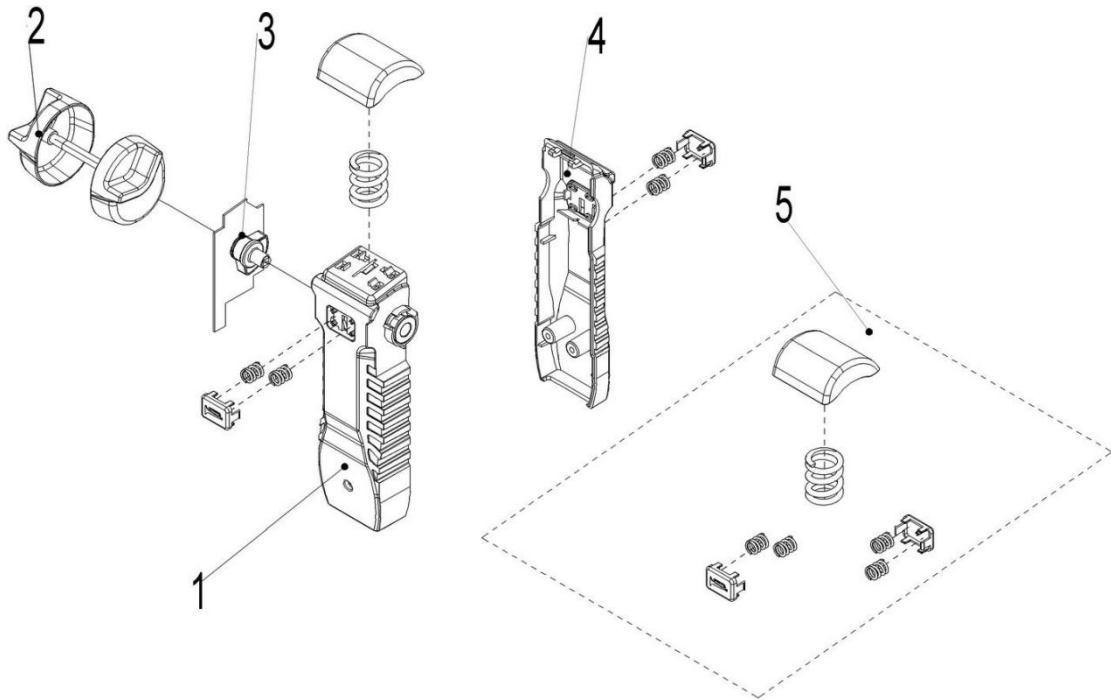


Fig. 14 Tiller head components (Semi-electric)

No.	Art No.	Description	Qty.	Note
1	508898520006	Handle Cap	1	Semi-electric
2	508898510008	Tiller S-SBZJ-4D-1001	1	
3	508898510009	Butterfly shape Switch components	1	
4	508898520005	Handle lower cover	1	
5	508898510011	Switch components	1	

Fig. 15 Controller components

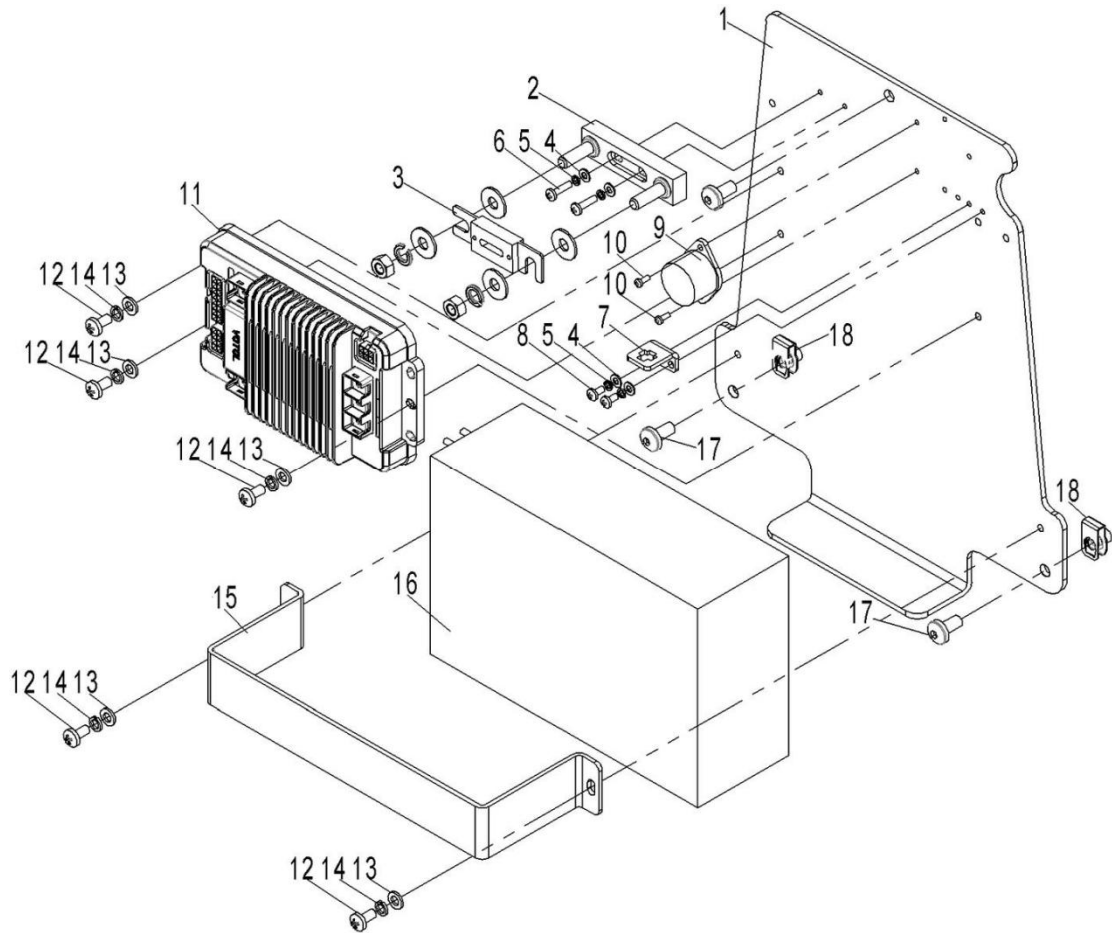
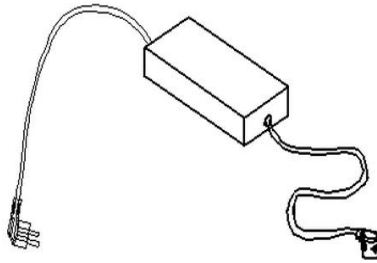


Fig. 15 Controller components

No.	Art No.	Description	Qty.	Note
1	508833020000	Mounting plate(electric appliance)	1	
2	920100400002	Fuse base SYY	1	
3	920100100001	Fuse 30A (plastic)	1	Bolt type
4	910400100003	Flat washer GB97.1-4-200HV	6	Flat washer GB97.1-4-200HV-A-c1B
5	910400500003	Spring washer GB93-4	6	Spring washer GB93-4-c1B
6	910200500024	Screw GB818-M4x16-4.8	4	Screw GB818-M4x16-4.8-Z-c1B
7	921300300002	Connector fixing 2 core	1	Molex
8	910200500034	Screw GB818-M4x8-4.8	2	Screw GB818-M4x8-4.8-Z-c1B
9	920500100010	Buzzer HND-4216W	1	Intermittent noise
10	910200500010	ScrewGB818-M3x8-4.8	2	Screw GB818-M3x8-4.8-Z-c1B
11	921400100114	Controller EM-50-1	1	48V-50A
12	910200500051	Screw GB818-M6x12-4.8	5	Screw GB818-M6x12-4.8-Z-c1B
13	910400100005	Flat Washer GB97.1-6-200HV	5	Flat washer GB97.1-6-200HV-A-c1B
14	910400500005	Spring washer GB93-6	5	Spring washer GB93-6-c1B
15	508833020001	Fixing plate (battery)	1	
16	920600100099	Lithium battery 48V12Ah1HR	1	
17	941101200001	Screw M8x16-4.8	3	Screw M8x16-4.8-c1B
18	940400400002	Spring nut M8-t(2-4)	2	

Fig. 16 Charger



Chinese market

Fig. 16 Charger

No.	Art No.	Description	Qty.	Note
1	508802036501	Lithium battery charger 48V3A	1	Asia Chinese

Fig. 17 Wiring harness (Full-Electric)

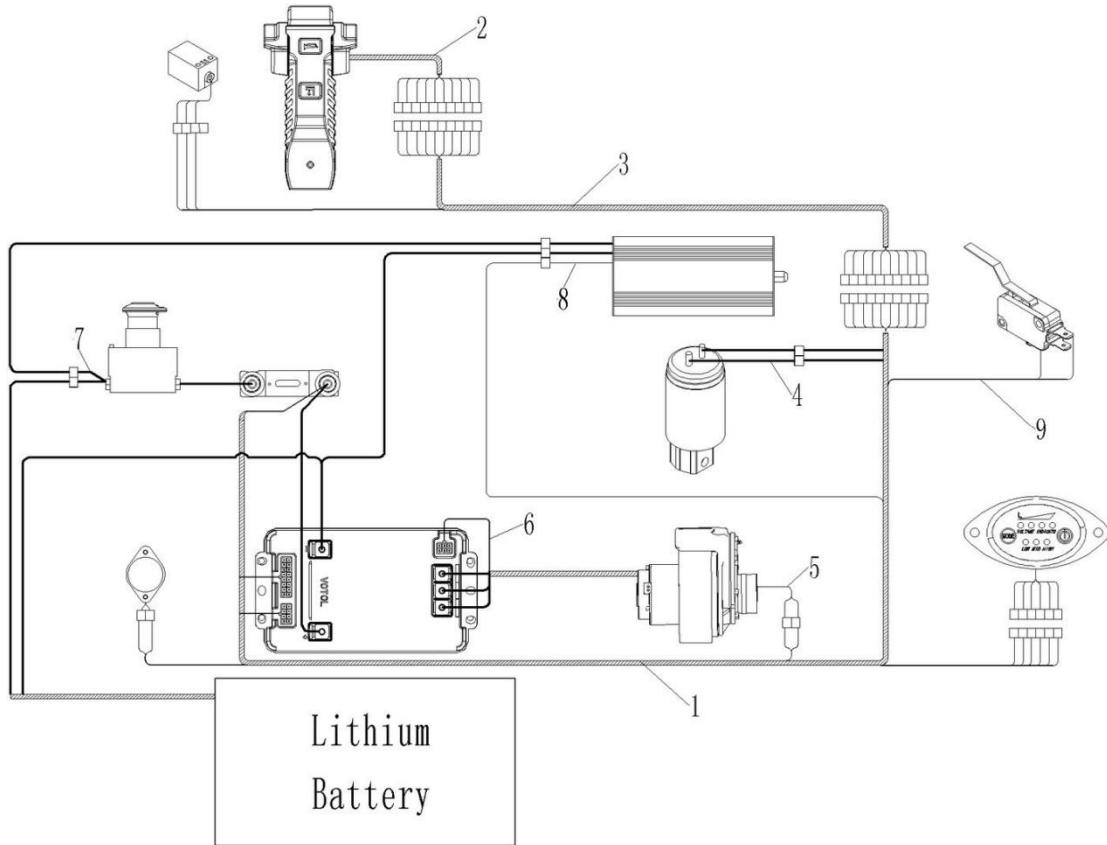


Fig. 17 Wiring harness (Full-Electric)

No.	Art No.	Description	Qty.	Note
1	508833010000	Main control wiring harness	1	
2	508833010001	Tiller control wiring harness	1	
3	508833010002	Tiller linking wiring harness	1	
4	508833010003	Pump motor wiring harness	1	
5	508833010005	Brake wiring harness	1	
6	508833010008	Driving motor hall wiring harness	1	
7	508833010004	Emergency button wiring harness	1	
8	508833010007	Charging port wiring harness	1	
9	508833010020	Limit switch wiring harness	1	

Fig. 18 Wiring harness (Semi-electric)

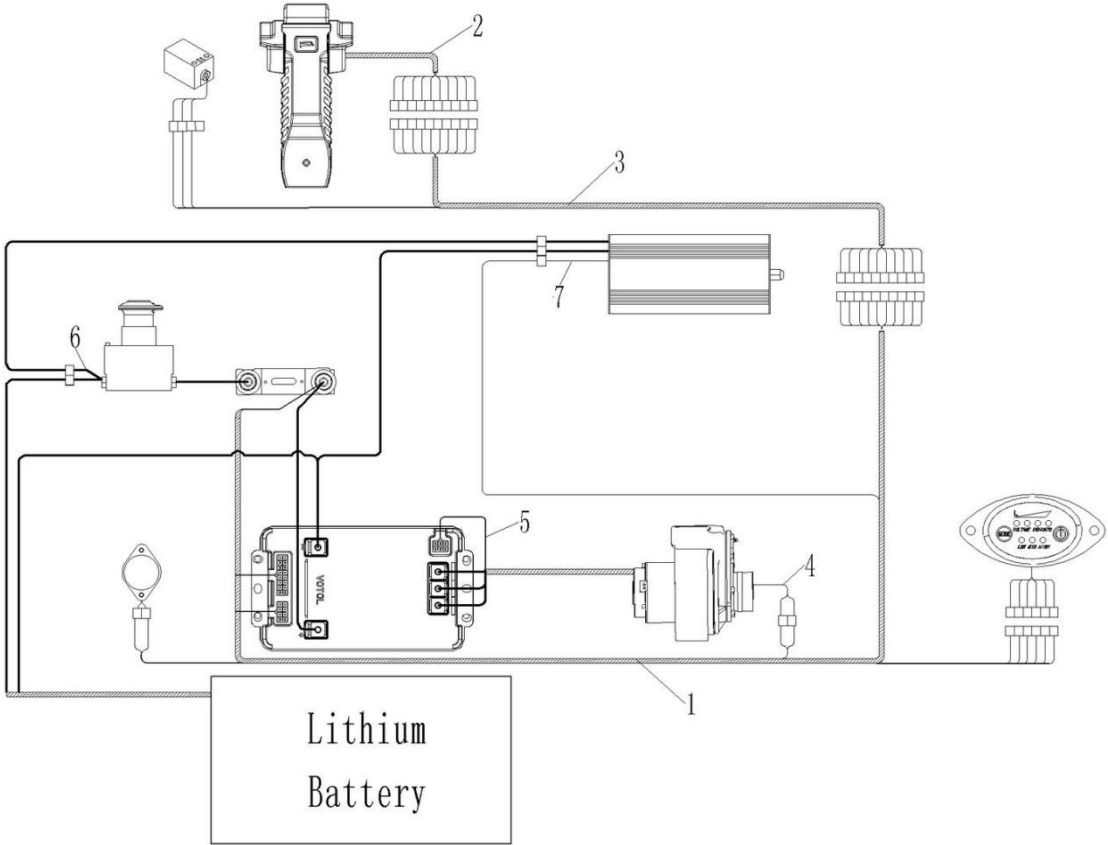


Fig. 18 Wiring harness (Semi-electric)

No.	Art No.	Description	Qty.	Note
1	508833010000	Main control wiring harness	1	
2	508833010001	Tiller control wiring harness	1	
3	508833010002	Tiller linking wiring harness	1	
4	508833010005	Brake wiring harness	1	
5	508833010008	Driving motor hall wiring harness	1	
6	508833010004	Emergency button wiring harness	1	
7	508833010007	Charging port wiring harness	1	

Fig. 19 Sticker (EU)

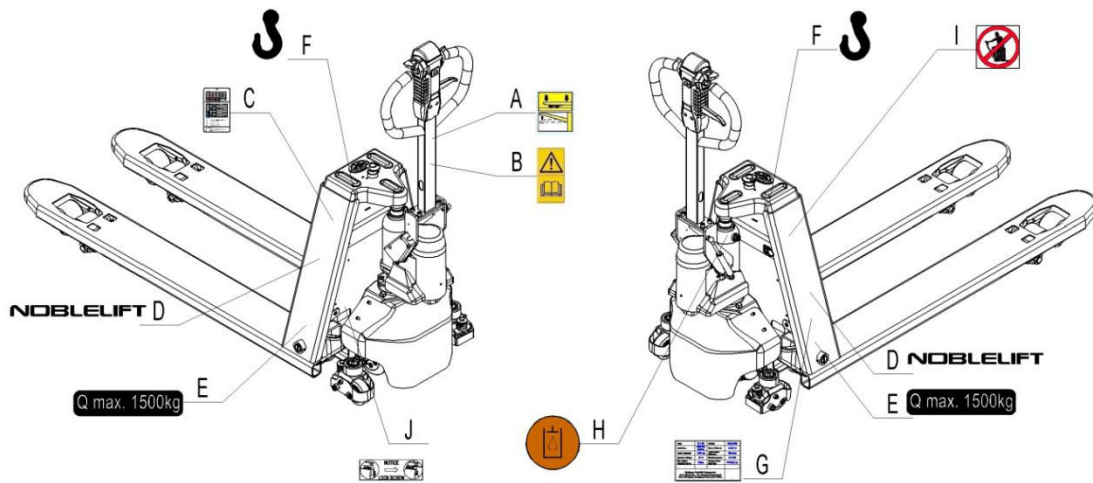


Fig. 19 Sticker (EU)

No.	Art No.	Description	Qty.	Note
A	941200400001	Sticker (Manual lowering)	1	
B	941200300002	Sticker to read and follow these instructions	1	
C	508847020000	Reminding Label(switich)	1	
D	941200500002	Sticker (NOBLELIFT)	2	
E	941200200009	Capacity sticker(1500Kg)	1	
F	941200300001	Crane hook label	1	
G	508847520000	CE sticker	1	
H	941200300003	Filling sticker	1	
I	941200100003	"No passengers" decal	1	
J	508847020002	Warning Label	1	

Easy worn parts list

No	Art No.	Description	Qty.		Note
1	9405001000 97	Bushing Φ24.6xΦ29x25-SF-1(with oil hole)	4	Chassis (540x1150)	
2	9405001000 83	Bushing Φ16xΦ18x15-SF-1(with oil hole)	8		
3	5088985100 04	Push rod components (1150)	2		115 0
4	5088985100 06	Rock arm components (540)	1		
5	5088985100 05	Push rod kits (1150)	2		115 0
6	5080985100 04	Push rod fork components	2		
7	9405001000 97	Bushing Φ24.6xΦ29x25-SF-1(with oil hole)	4	Chassis (685x1150)	
8	9405001000 83	BushingΦ16xΦ18x15-SF-1(with oil hole)	8		
9	5088985100 07	Rock arm components (685)	1		
10	5088985100 04	Push rod components (1150)	2		115 0
11	5088985100 05	Push rod kits (1150)	2		115 0
12	5080985100 04	Push rod fork components	2		
13	9107002000 19	Bearing GB276-6204-2RS	8/4 (Tandem/Singl e)		
14	9403003000 05	Roller Φ80x70 (Steel core PU)	4 (Tandem)		
15	9403003000 23	Roller Φ80x93 (Steel core PU)	2 (Single)		
16	9405002000	Bushing (With shoulder)	4 (Tandem)		

	38	Φ18xΦ20x12-SF-1(with oil hole)		Load Roller Components	
17	9405001000 88	Bushing Φ20xΦ22x12-SF-1(with oil hole)	4		
18	5023985100 14	Wheel set accessories(single)	2		
19	5023985100 03	Roller kit	2		
20	5080985100 49	Wheel accessories(double)	2		
21	5080985100 50	Wheel accessories(single)	2		
22	5080985100 51	Arm block assembly (double wheel frame)	2		
23	5023985100 02	Wheel set accessories (double)	4		
24	9107007000 11	Bearing GB301-51113	1		Hydraulic cylinder components (Semi-electric)
25	9107006000 44	Bearing GB297-32913	1		
26	9108005000 01	Axle ring 40x45x9.7	2		
27	9108003000 02	Axle seal Y40x50x6	1		
28	9108004000 02	Seal FC40x48x5	1		
29	5088985100 01	Seal components	1		
30	5088985100 02	Seal components	1		